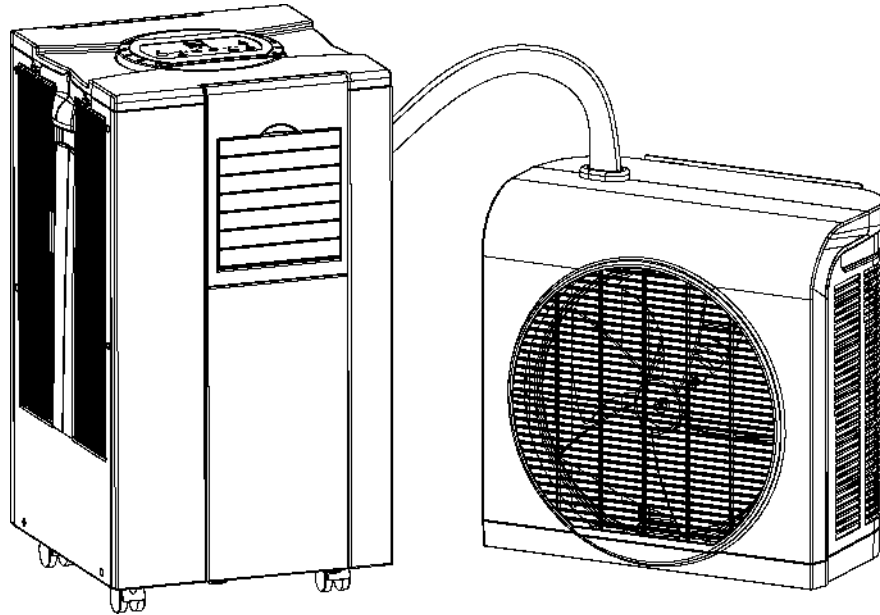


OWNER'S MANUAL

Kudos 18



Thank you for selecting this Koolbreeze high quality air conditioner. The unit is patent protected. Please be sure to read this manual carefully before using it. If you have any questions, please contact the retailer for help. Keep the manual for future reference.

CONTENT

CAUTIONS.....	3
FUNCTION INTRODUCTION.....	5
PARTS.....	6
INSTALLATION.....	7
CONTROL PANEL.....	12
OPERATION.....	14
MAINTENANCE.....	16
TROUBLE SHOOTING.....	18
APPENDIX.....	19

CAUTIONS

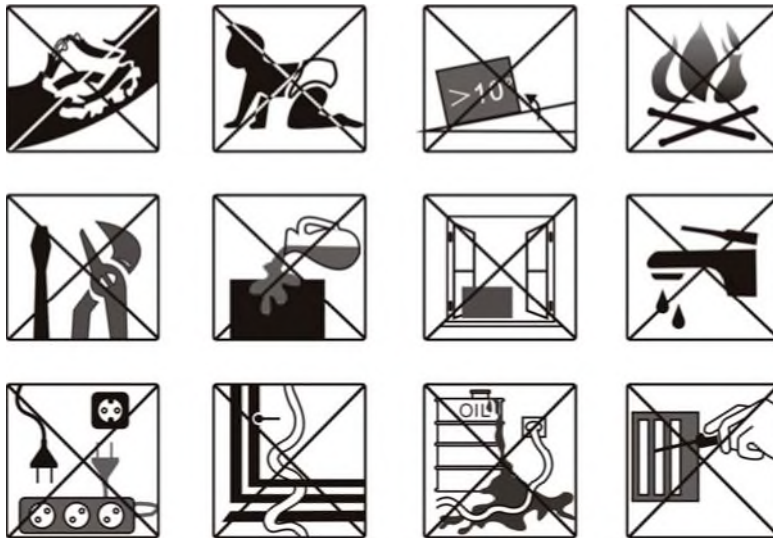
Please read the operating instructions carefully before using your air conditioner for the first time.

1. The indoor unit is for indoor use only. Don't use it outside.
2. Operate the unit only at the voltage of 220-240V /50Hz.
3. Install the unit on a flat and hard floor to avoid vibration or noise.
4. Never immerse the unit in water or other liquids.
5. Never operate the unit if the cable or other connector is damaged.
6. Disconnect the unit from the power supply when it is not in use, or before relocating or cleaning it.
7. Do not put heavy objects on the appliance.
8. Never insert any other object into the unit body to avoid any hazard or unit failure.
9. Do not repair the unit or replace the supply cord by yourself. Call the retailer who sold you the unit for help
10. Do not put the unit close to heat-generating devices or near flammable and dangerous materials.
11. Never insert any slim rod or hard object into the unit body to avoid occurrence of hazard or unit failure.
12. This appliance is not intended for use by persons (including children) with reduced physical, sensory or mental capabilities, or lack of experience and knowledge, unless they have been given supervision or instruction concerning use of the appliance by a person responsible for their safety. Children should be supervised to ensure that they do not play with the appliance.
13. If the supply cord is damaged, it must be replaced by the manufacturer or its service agent or a similarly qualified person in order to avoid a hazard.



Don't try to repair, dismantle or remold the appliance, or it may cause damage.

Warnings



Special attention:

We suggest you not to use the unit when the room temperature is higher than 38 C or lower than 16 C if you want to get the best cooling effect.

- Do not pull the unit using the flexible tube. It contains electrical wires.
- The outer unit should be kept upright after installation, with 50mm space around it
- Unplug the unit during assembly.
- Do not over-bend or kink the flexible tube.
- Do not use the unit in the bathroom or any position where the humidity is too high.
- Close the door & window for better cooling efficiency.

FUNCTION INTRODUCTION

This portable split air conditioner has three functions: Auto, Cooling and Fan. Fan has three speeds: high speed, middle speed and low speed. The temperature can be set to between 15-30°C. The unit also has the following features: 24 hours timer, an evaporative function, sensors and water-level protection function. Please find the technical parameters of the unit in the table below:

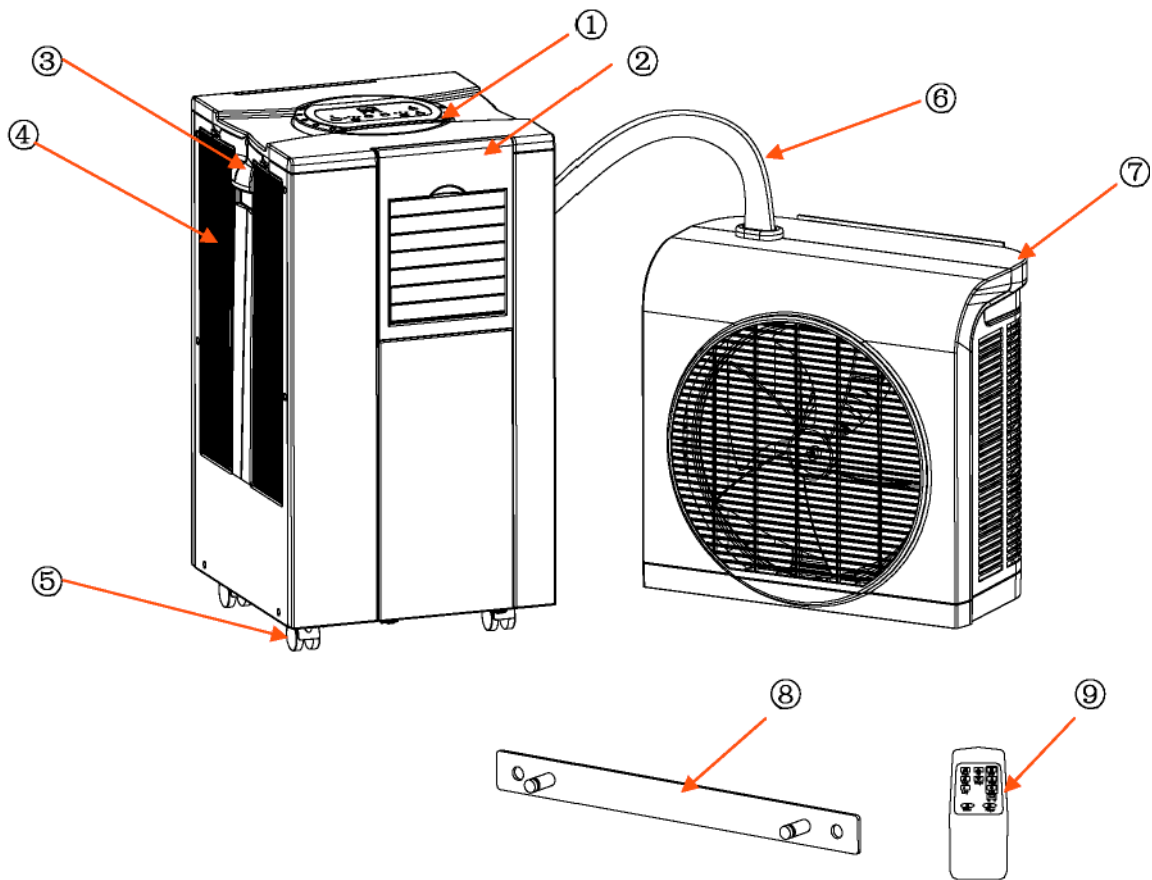
model data	Kudos 18
Cooling (KW)	5.28
Air volume (M ³ /H)	560
Current (Amp)	8.4
Power consumption (W)	1895
EER	2.41
For area (M ²)	28
Refrigerant	R410A
Body size(mm) (WXHxD)	Internal 407X755X429 External 529X504X314

NOTE:

The above technical data are for reference only. Koolbreeze reserves the right to modify the data without notice.

For details, please see the rating label on unit.

PARTS



1. control panel
2. air outlet grill
3. handle of indoor unit
4. filter
5. castor
6. flexible tube
7. handle of outdoor unit
8. bracket
9. remote control

NOTE: A spanner and an Allen Key are also included in the carton to facilitate installation.

INSTALLATION

Warning: Before using this unit, please keep it upright for at least 2 hours.

Install on a flat, hard & dry floor. Retain a space all around the unit of 50cm at least. Unplug the unit from the wall switch before installation.

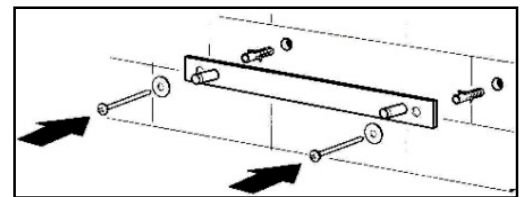
Note that the unit does not have to be installed at all. It can be used as a portable air conditioner. Simply place the outdoor unit outside a suitable external door or pass it through a partially open window to the outside where it can sit on the ground. The unit can then be brought in at night and the door or window closed.

Installation Method One : Hang outside a window.

It is possible to put the Outdoor unit through an open window and hang it on the bracket supplied which can be firmly fixed to the outside wall. Using this method, the outdoor unit can still be detached from the bracket at night and the window closed.

To fix the bracket to the outside wall:

Fix the hanger by 2 expansion bolts (not supplied) in the outside wall.
(see pictures below)



Expansion bolt

Once you have fixed the bracket to the wall, the clasp on the rear of the outdoor unit can be firmly lowered onto the bracket



Installation Method 2: Installation through a hole in the wall

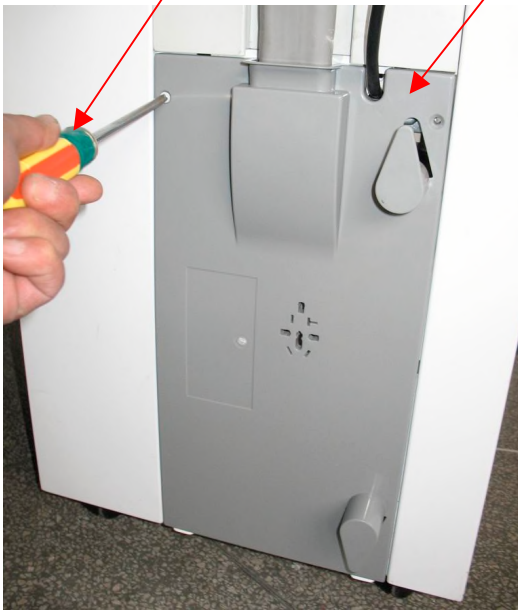
If necessary, drill a hole in an external wall through which the flexible tube can be passed. Take full account of where you want to locate both the internal and external units

The following steps should be followed in order to detach the flexible pipe from the internal unit so it can be passed through the hole in the wall and then re-attached.

1. Turn the 2 screws to the left to loosen them using a screwdriver, then remove the cover (see below pics 1 and 2)

screwdriver

cover



Picture 1



Picture 2

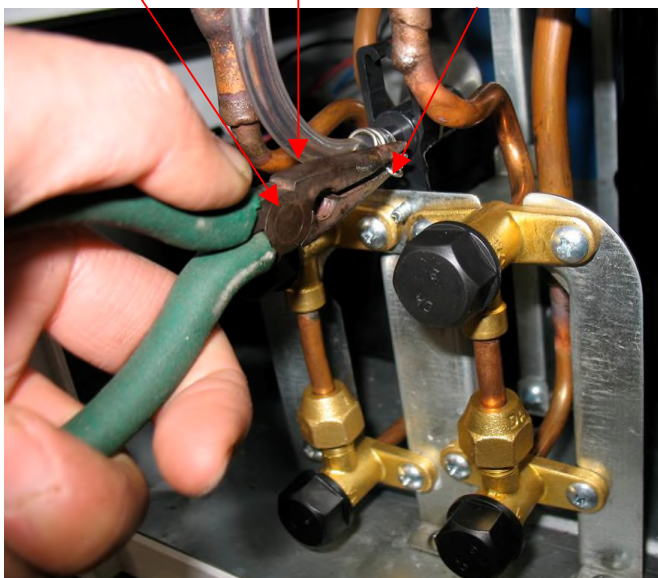
2. Carefully take off the fixed clip by using long nose pliers as shown and remove the clear plastic tube (pic 3)

3. Disconnect the electric wires at the bottom of the flexible tube. Press the pin on both sides to avoid splitting. (pic. 4)

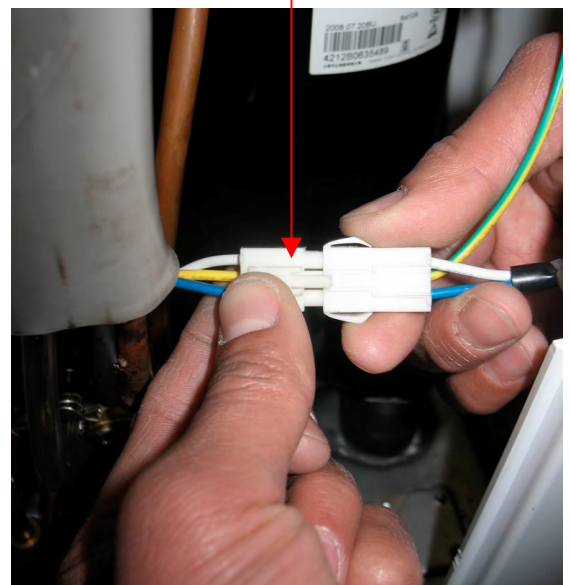
pliers

tube

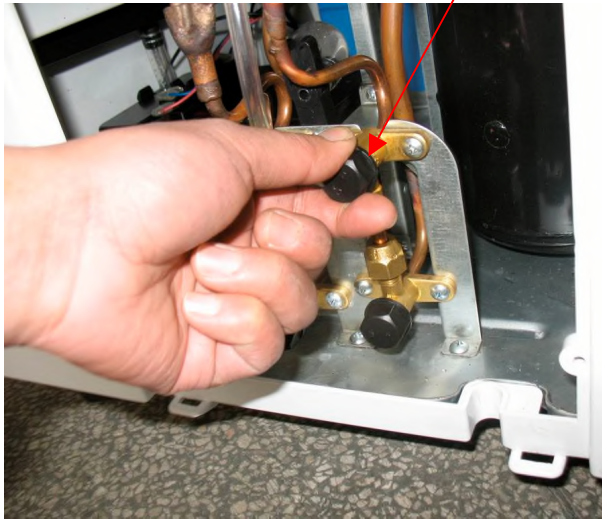
the fixed clip



pin

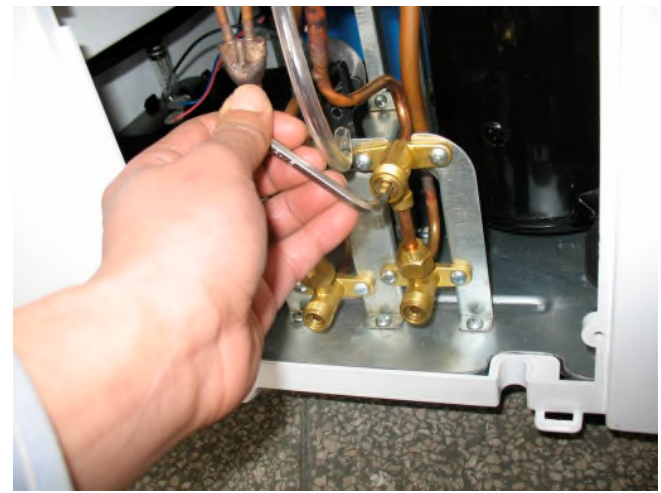


4. Remove the four plastic hexagonal covers from the copper adaptors (see below pic)
plastic hexagonal covers (pic 5 and pic 6)



5. Fasten the internal hexagonal nuts tightening them clockwise (Inside the copper adaptor) by using the Allen key (See below pics 7 & 8)

hexagonal nuts Allen Key copper adaptor

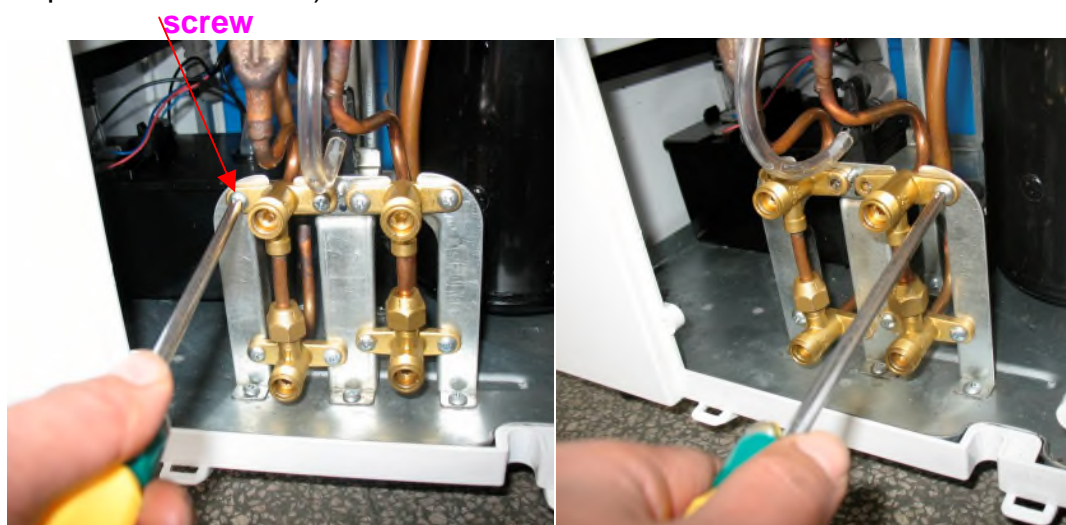


- 6) Remove the two copper hexagonal nuts from the copper adaptors using the spanner packed with the unit. (see below pics 9 & 10)

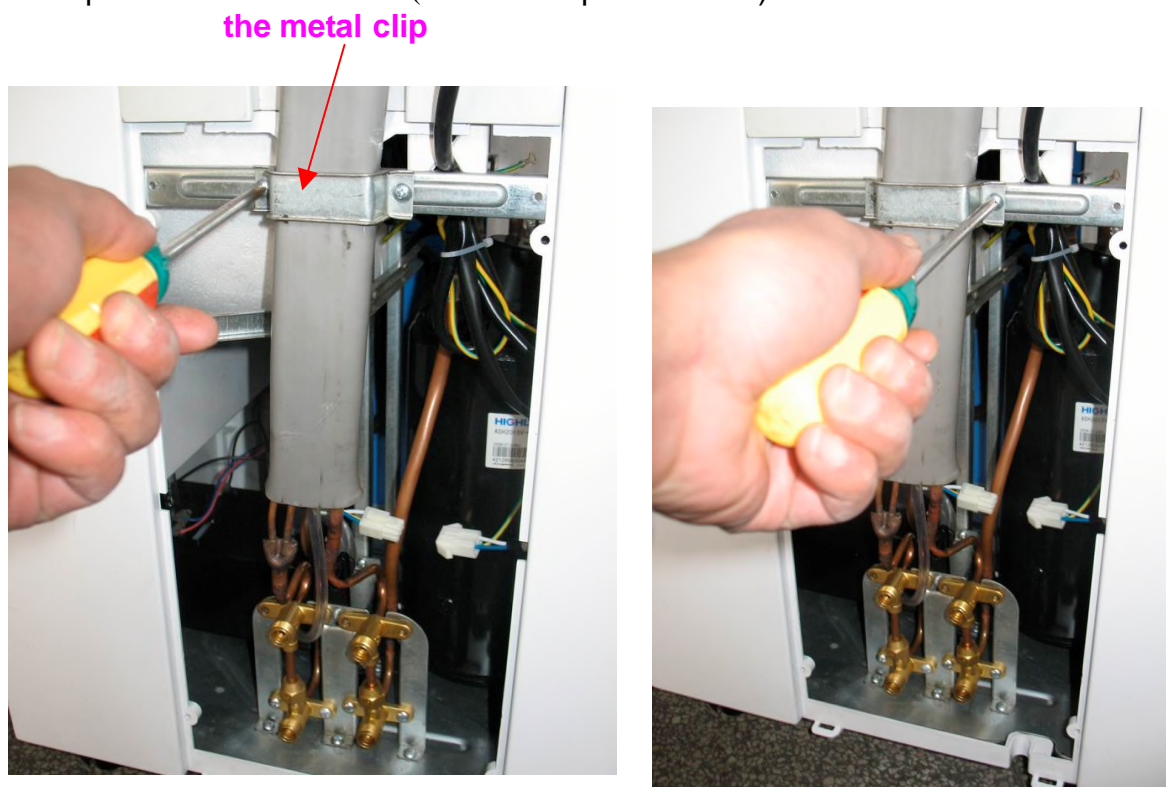
Spanner copper hexagonal nuts



- 7) Use a screwdriver to remove the four screws near the top of the metal plate that hold the upper part of the copper adaptors to the plate.
(see pics 11 & 12 below)



- 8) Take off the two screws that retain the metal clip, then remove the metal clip from the flexible tube(see below pics 13 & 14)

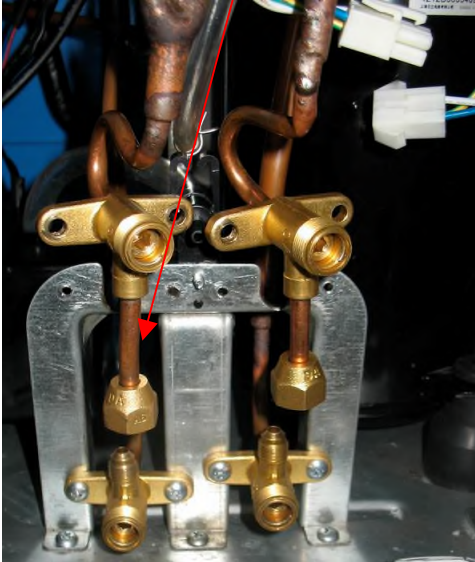


The flexible tube can now be removed from the indoor unit

Place the internal unit where you want it inside and the external unit where you require it outside. (install the external unit on the outside wall using the bracket if required (see section entitled "Installation Method One" above)

9. Connect the indoor unit & outdoor unit by feeding flexible tube through the hole in the wall
10. Connect the flexible tube & the copper adaptors of the indoor unit and tighten the two hexagonal nuts that you loosened in above step 6 using the spanner.
(see below pic)

The longer copper tube should be installed on the left,

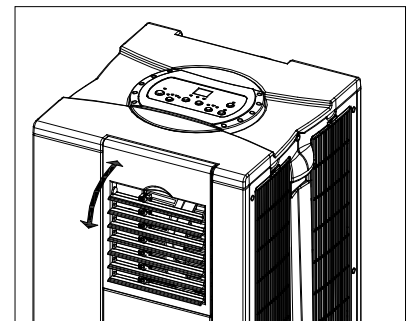


11. Fix the copper adaptors to the metal plate using the 4 screws then fix the flexible tube using the metal clip that you have taken off in the above step 8 (re. Pics 13 & 14)
12. Loosen the four internal hexagonal nuts using the Allen key (turn anti-clockwise).
13. Replace the plastic covers over the small hexagonal nuts
14. Put the water pipe in the flexible tube into the adaptor of the indoor unit, fix it using the fixed clip that you removed in the above step 2, then connect the electric wire between the flexible tube & indoor unit. (re. Step 3 pic)
- 15.. Assemble the cover that you removed in step1 using the original 2 screws .

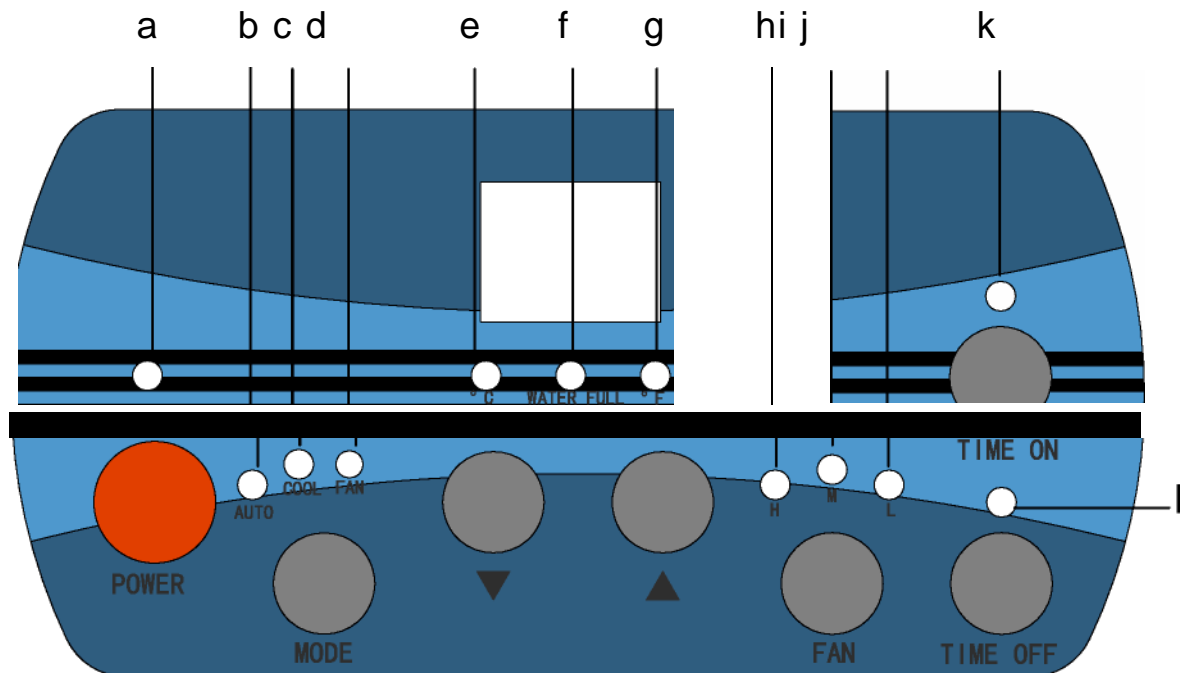
Adjusting the air outlet grill

Manually open the air outlet grill to the angle that you want.

Set the air outlets to the horizontal for maximum air throughput.



CONTROL PANEL



Push buttons

1. Press POWER push button to turn on / off the unit. The LED light above the POWER button will turn green and there will be audible beeps when the unit is turned on. When running, the LED light of the chosen mode will also light.
2. Press MODE push button to select AUTO, COOL or FAN mode.
3. Press UP or DOWN push button to adjust the time or temperature. (temperature range: 15-30⁰C in cool mode)
4. Press Fan push button to select high, mid or low speed.
5. Press TIME ON push button to turn on the unit automatically from 0 – 24 hours.
6. Press TIME OFF push button to turn off the unit automatically from 0 – 24 hours.

LED indication lights

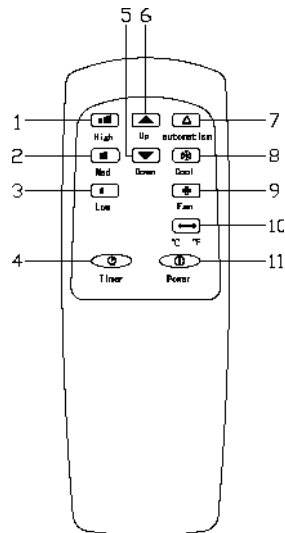
- a. power indication light
- b. auto mode indication light
- c. cooling mode indication light
- d. fan mode indication light
- e. temperature indication light
- f. Water full indication light
- g. temperature indication light
- h. High fan speed indication light

- i. Mid fan speed indication light
- j. Low fan speed indication light
- k. Time on indication light
- l. Time off indication light

Remote control

The controls of remote control are almost the same as the control panel.

- 1. high fan speed
- 2. mid fan speed
- 3. low fan speed
- 4. timer on / off
- 5. up
- 6. down
- 7. auto mode
- 8. cool mode
- 9. fan mode
- 10. temperature C or F
- 11. power on / off



OPERATION

Press POWER push button to turn on / off the unit. The LED light above the POWER push button will be green with audible beeps when the unit is turned on, and at first will run in auto mode.

Auto mode

Press MODE push button once to have the unit run in Auto mode with high fan speed as the default. This can be changed later if required but is the quickest way of achieving the desired temperature. Automatic mode will automatically change the fan speed when the desired temperature is achieved.

Temperature setting

Press the UP or DOWN push buttons to choose the temperature required.

The LED display will show setting temperature while you are adjusting the setting temperature. After that, the LED display will show the room temperature. Under FAN mode, you can't set the temperature, the LED display will show room temperature only

.The temperature can be set to achieve between 15 to 30 C (58 to 88 F) changing by one degree with each press of the UP / DOWN push button.(Or you can press the UP/ DOWN push button continuously until the desired temperature is set.

The room temperature display will show from 7 ~ 35Centigrade (42 to98 Fahrenheit)

Cooling mode

Press the MODE push button a second time to have the unit run in cooling mode. Under this mode, you can also adjust the setting temperature from 15 ~ 30 C , After you have chosen the temperature you want, the LED display will show room temperature. Select the fan speed in low, mid or high and set the time to turn on / off the unit automatically if desired.

Fan mode

Press MODE push button a third time to have the unit run in fan mode. Under this mode, you cannot set a desired temperature. The LED display will show room temperature only and the unit will circulate the air in the room without cooling it.

Fan speed

If you want to set the fan speed, press the FAN push button to choose the speed from low, mid & high each time.

Timer on / off

Press TIME ON push button to turn on the timer on function when the unit is off, and the timer on indication light will light.

Press TIME OFF push button to turn on the timer off function when the unit is on, and the timer off indication light will light .

Press UP/ DOWN push button to adjust the time from 0.5—1.0--1.5—2.0—2.5—3.0—3.5—4.0—4.5—5.0—5.5—6.0—6.5—7.0—7.5—8.0—8.5— 9.0—9.5—10—11—12—13—24—0.0— 0 . . .

Water full

Note:

The Inner water tank will not fill during normal operation but may do so in some circumstances. If it does:

The water full indicator will turn red with an audible beep and “P2” will also be shown on LED display when the water is full, and the compressor will stop. The unit will restart after you empty the water from the inner tank. Move the unit carefully when emptying the tank to avoid water leakage from the inside of the indoor unit.

If the LED still displays “P2” after the water tank has been emptied, please call the service centre to check if there is a problem.

Compressor protection

Except for first plug in, the compressor will be restart 3 minutes after you turn on the unit.

MAINTENANCE

Note: Switch off the unit and unplug it immediately if anything abnormal happens. Then contact a qualified electrician.

Cleaning

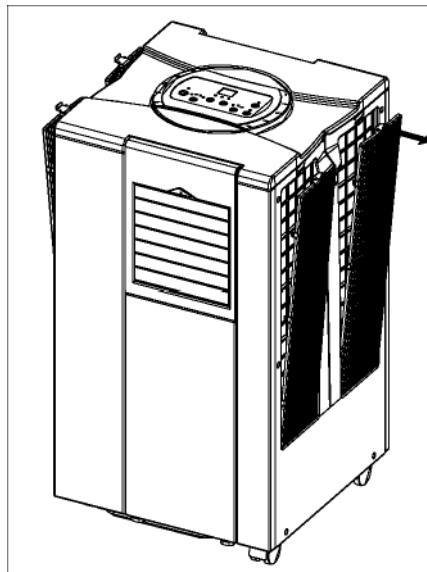
Unplug the unit before any cleaning.

To clean the surface of the unit use a soft damp cloth. Do not use detergents or abrasive sponge, which may cause damage to the plastic surface.

Do not sprinkle water into the unit.

Air filter

Take out the right washable filters as show in the following picture. After cleaning, insert the filter back to its place.



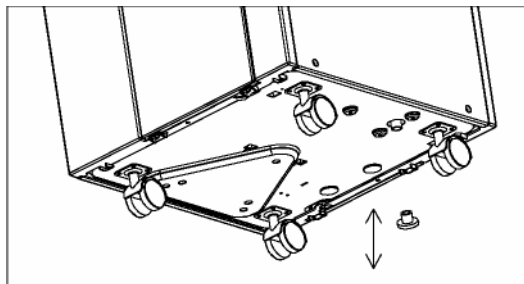
It is recommended you clean the washable filter at least every two weeks. Run a vacuum cleaner lightly over the surface of the air filter to remove dirt or wash with luke warm water. Do not use chemical solvents or hot water.

To avoid deformation, let the washable filter dry in the air. Keep it away from any heat .

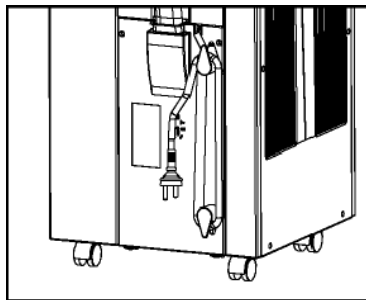
Storing the air conditioner

When the unit is not being used for a long period of time and you want to store it, please note the following steps:

1. Take out the water stopper in the drainage hole at the bottom of indoor unit and run it in fan mode in low speed for 4 hours at least to empty any water left in the unit to avoid any mildew.



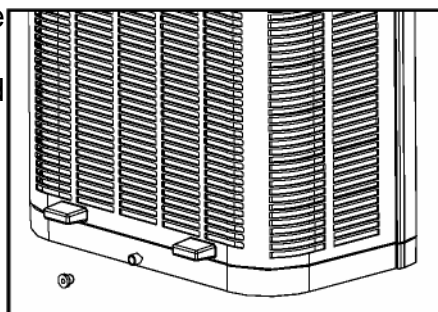
2. Unplug the unit and fold up the power supply cord.



3. Clean the air filters.

4. Take out the water stopper

in the drainage hole at the bottom of indoor unit and empty the water in it.



5. Store in a cool and dry place.

TROUBLE SHOOTING

If a condition listed below occurs, please check the following items before calling customer service.

Problem	Possible Cause	Solution
The unit doesn't operate	Has the power cord been disconnected?	Plug the power cord into the outlet.
	Is the room temperature higher than 38C ?	We suggest you to use the unit when the room temperature is between 16 and 38 if you want to get the best cooling effect.
	Is the timer function running?	Cancel the timer function.
The cooling function doesn't work	Is the air filter clogged?	Clean the air filter as instructions
	Is room temperature lower than the setting temperature?	Adjusting the setting temperature.
	Is it in direct sunlight?	Close the curtains.
	Are windows or doors opened? Are there many people or a heat source in room?	Close doors & windows, remove the heat source.
The compressor does not work	Is the overheat protection activated?	Wait 3 minutes until the temperature has decreased, then restart the unit.
Operation is noisy	Is the unit tilted or unsteady?	Move the unit to a stable, sturdy location.
Remote control does not work	Is the distance out of specification	Make sure the remote control is correctly aimed at the control panel.
	Is remote control signal not detected by the control panel?	
	Are the batteries drained?	Replace the batteries.



Correct Disposal of this product:

This marking indicates that this product should not be disposed with other household wastes throughout the EU. To prevent possible harm to the environment or human health from uncontrolled waste disposal, recycle it responsibly to promote the sustainable reuse of material resources. To return your used device, please use the return and collection systems provided by your local council or contact the retailer where the product was purchased.

APPENDIX

The working principium diagram of the unit:

